

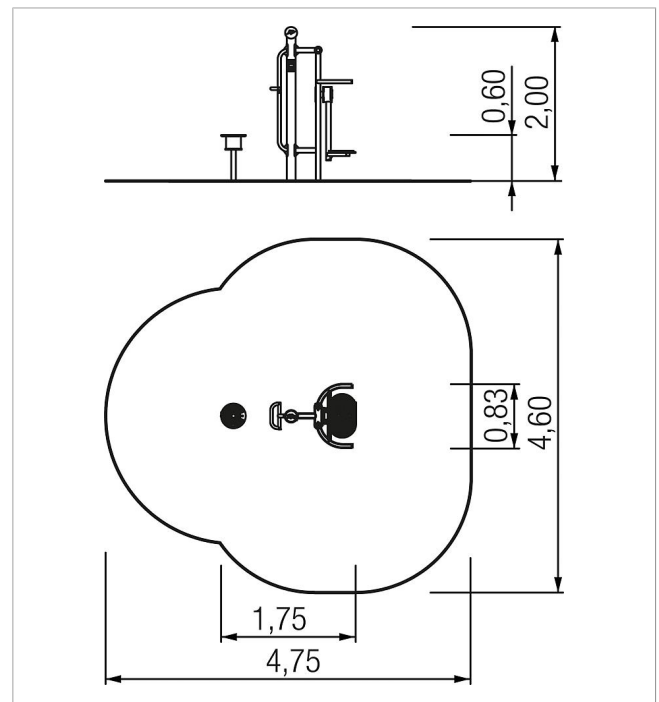
5 54 047 0

**fit active-station  
combination I hips &  
twist**  
made in germany



**Scope of delivery**

1x active-station combination: stainless steel, high pressure laminate (HPL), powder-coated steel



	Material	VA, HPL, steel powder.
	Foundation level	ET 0
	Minimum space	4,75x4,60x2,60 m
	Free falling height	64 cm
	Impact protection net	2,0 m <sup>2</sup>
	Foundations	1x CF
	Assembly	2 persons/2,5 h