

5 40 307 111 93

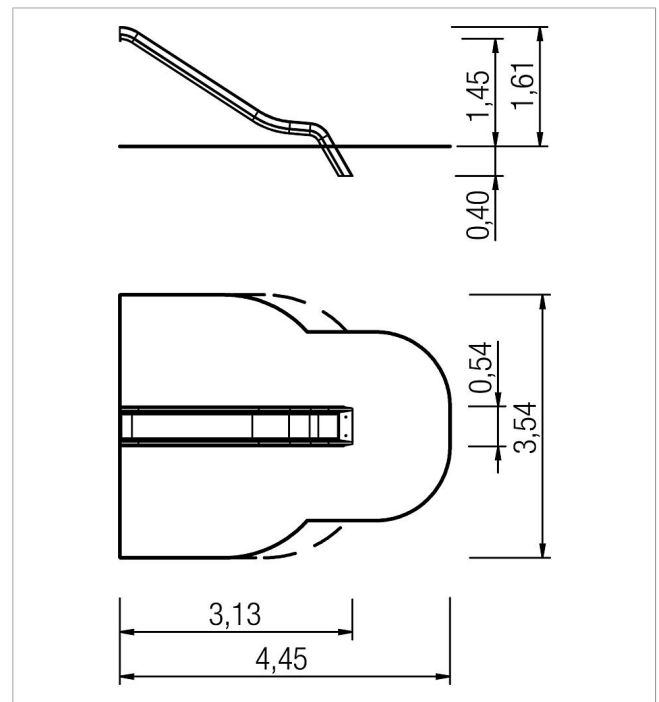
Basis Attachment slide PH 145 cm

made in germany



Scope of delivery

1x slide: glass fibre reinforced plastic (GFRP), stainless steel (V2A)
fittings: stainless steel (V2A)



	Material	GFRP with stainless steel
	Foundation level	ET 400
	Minimum space	4,45x3,54x3,25 m
	Free falling height	145 cm
	Impact protection net	13,5 m ²
	Foundations	1x CF or 1x PFs
	Assembly	2 persons/0,25 h