

5 11 072 011 02

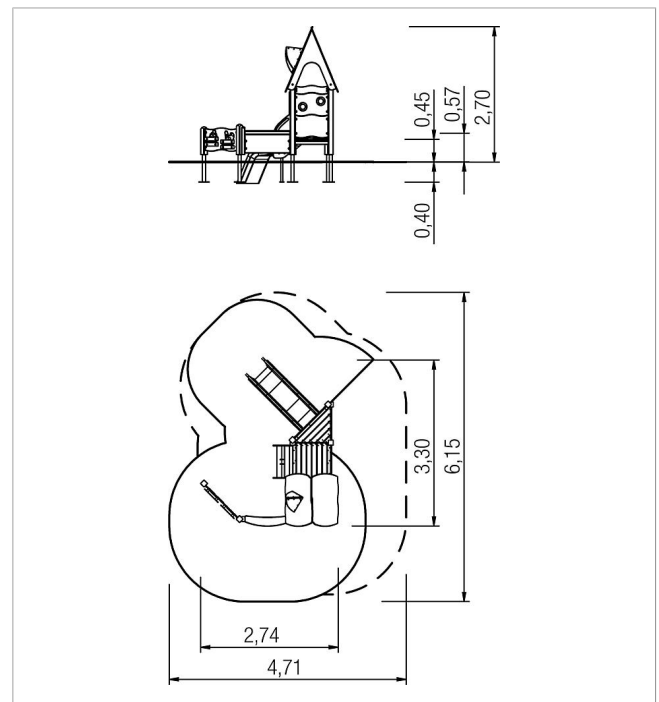
**playo play unit
Johanna, solo**

made in germany



Scope of delivery

3x adapter: softwood or steel
 9x post construction: softwood or steel
 3x platform construction: softwood
 1x saddle roof: high-pressure laminate (HPL)
 1x stairs: softwood, high-pressure laminate (HPL)
 8x parapet: high-pressure laminate (HPL)
 1x slide entry board: high-pressure laminate (HPL)
 2x play parapet hole: high-pressure laminate (HPL), Acrylglas (UV-resistant)
 1x play parapet slide rule : high-pressure laminate (HPL), robinia
 1x seat corner: softwood
 1x counter: softwood, high-pressure laminate (HPL)
 fittings: stainless steel (V2A)



	Material	SW pi
	Foundation level	ET 400
	Minimum space	4,71x6,15x2,70 m
	Free falling height	63 cm
	Impact protection net	17,5 m ²
	Foundations	11x CF or 11 PFs