

5 52 079 063 00

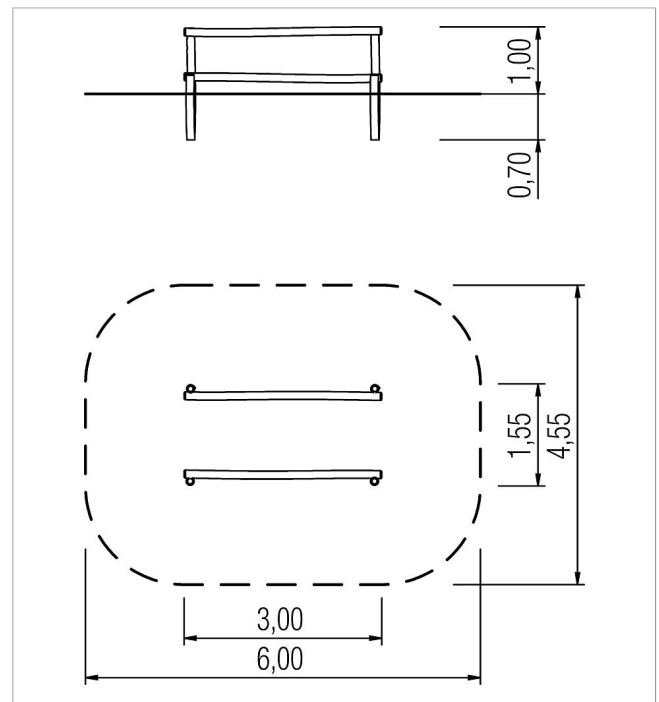
## fit Fitness trail support jump

made in germany



### Scope of delivery

2x support beam: robinia  
fittings: stainless steel



	Material	Robinia natural
	Foundation level	FL 3
	Minimum space	6,00x4,55x1,70 m
	Free falling height	100 cm
	Impact protection net	25,5 m <sup>2</sup>
	Foundations	4x CF
	Largest section	300x28x14 cm