

5 56 081 0

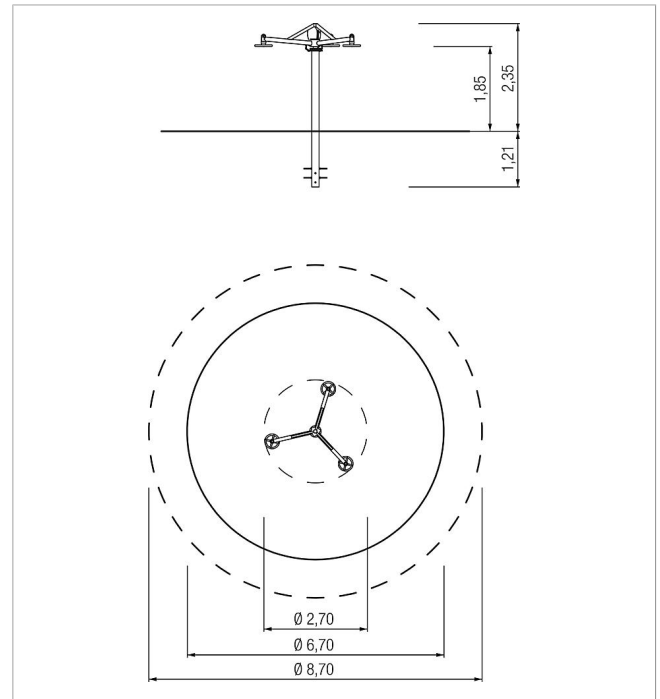
Basis Ring carousel Orcus Ø 2,70 m

made in germany



Scope of delivery

- 1x post: powder-coated steel
- 1x pendulum structure: powder-coated steel, HDPE
- 3x handle ring: powder-coated steel



	Material	powdered steel
	Foundation level	ET 1210
	Minimum space	Ø 8,70x2,90 m
	Free falling height	100 cm
	Impact protection net	36,0 m ²
	Foundations	1x CF